

SPIROTECH SPECIFICATION SHEET



Product: SpiroCombi
DN50 Flanged end

Type:
Date:

BC050F
11/19/2019

Customer:

Project:

Reference:

Design criteria

| | | |
|---------------------|--------------------------|-------------------|
| Medium: | Water / glycol (max 50%) | |
| Nom. flow velocity: | 1.5 | m/s |
| Nom. flow rate: | 12.5 | m ³ /h |
| Max. pressure: | 10 | bar-g |
| Max. temperature: | 110 | °C |
| Δp at nom. flow: | 2.9 | kPa |
| Design standard: | EN 13445 | |

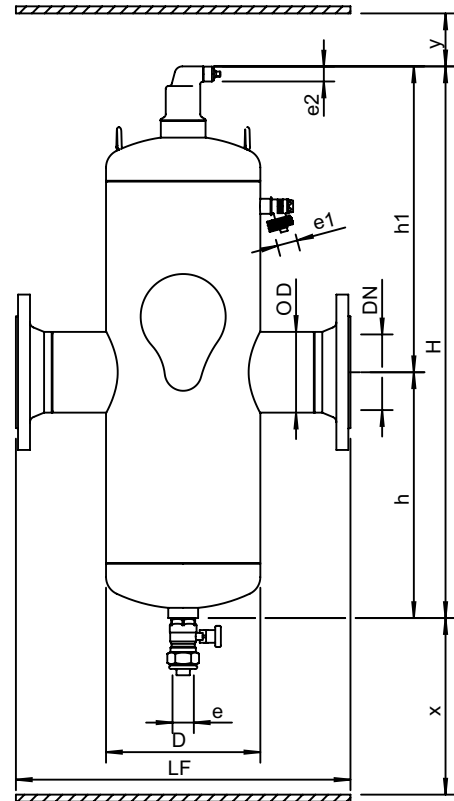
Testing and quality assurance

| | |
|-------------------------------------------|-----|
| Test pressure (bar): | 7 |
| Test medium: | Air |
| Test certificate: | no |
| Design and manufacturing acc. 2014/68/EU: | yes |
| Material certificates (structural parts): | no |
| Drawing: | no |
| Weld procedures: | no |
| Nondestructive Testing (X-ray: 10%): | no |
| Notified body inspection: | no |

Construction materials

| | |
|---------------------------|--------------------|
| Body: | S235 JR G2 (St.37) |
| Connections: | S235 JR G2 (St.37) |
| Fittings: | S235 JR G2 (St.37) |
| Flanges (EN 1092-1 PN16): | P250GH |
| Heads: | S235 JR G2 (St.37) |
| Deaeration cap: | Brass |
| Valve sealing: | Viton |
| Float: | PP |
| Spirotube Tube: | S235 JR G2 (St.37) |
| Spirotube Wire: | Copper |
| Spirotube Solder: | Tin(SnCu3) |
| Paint: | Standard |
| Color: | Yellow (RAL 1003) |
| Drain valve: | Nickeled brass |

Drawing



Dimensions

| | |
|-----|---------|
| DN: | 50 |
| OD: | 60.3 mm |
| H: | 630 mm |
| h: | 265 mm |
| h1: | 365 mm |
| D: | 159 mm |
| LF: | 350 mm |
| e: | Rp1 |
| e1: | G3/4 |
| e2: | R1/2 |
| x: | >200 mm |
| y: | >50 mm |

| | |
|----------------------|-------|
| Volume: | 7 ltr |
| Dry weight (approx): | 17 kg |

Subject to changes