

# SPIROTECH SPECIFICATION SHEET



Product: SpiroVent Hi-flow  
DN80 Weld end

Type:  
Date:

HA080L  
11/19/2019

Customer:

Project:

Reference:

## Design criteria

|                     |                          |                   |
|---------------------|--------------------------|-------------------|
| Medium:             | Water / glycol (max 50%) |                   |
| Max. flow velocity: | 3                        | m/s               |
| Max. flow rate:     | 54.0                     | m <sup>3</sup> /h |
| Max. pressure:      | 10                       | bar-g             |
| Max. temperature:   | 110                      | °C                |
| Δp at max. flow:    | 12.4                     | kPa               |
| Design standard:    | EN 13445                 |                   |

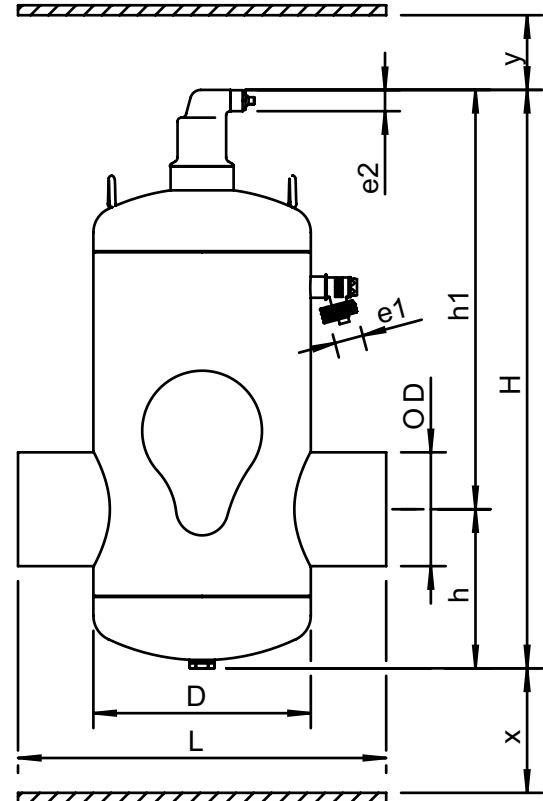
## Testing and quality assurance

|   |     |
|---|-----|
| Test pressure (bar):                      | 7   |
| Test medium:                              | Air |
| Test certificate:                         | no  |
| Design and manufacturing acc. 2014/68/EU: | yes |
| Material certificates (structural parts): | no  |
| Drawing:                                  | no  |
| Weld procedures:                          | no  |
| Nondestructive Testing (X-ray: 10%):      | no  |
| Notified body inspection:                 | no  |

## Construction materials

|                   |                    |
|-------------------|--------------------|
| Body:             | S235 JR G2 (St.37) |
| Connections:      | S235 JR G2 (St.37) |
| Fittings:         | S235 JR G2 (St.37) |
| Heads:            | S235 JR G2 (St.37) |
| Deaeration cap:   | Brass              |
| Valve sealing:    | Viton              |
| Float:            | PP                 |
| Spirotube Tube:   | S235 JR G2 (St.37) |
| Spirotube Wire:   | Copper             |
| Spirotube Solder: | Tin(SnCu3)         |
| Paint:            | Standard           |
| Color:            | Yellow (RAL 1003)  |

## Drawing



## Dimensions

|     |         |
|-----|---------|
| DN: | 80      |
| OD: | 88.9 mm |
| H:  | 780 mm  |
| h:  | 150 mm  |
| h1: | 630 mm  |
| D:  | 219 mm  |
| L:  | 370 mm  |
| e1: | G3/4    |
| e2: | R1/2    |
| x:  | >50 mm  |
| y:  | >50 mm  |

|                      |        |
|----------------------|--------|
| Volume:              | 25 ltr |
| Dry weight (approx): | 24 kg  |

Subject to changes