

# SPIROTECH SPECIFICATION SHEET



Product: Rp1" Threaded fitting

Type:

UA100W

Date:

11/19/2019

Customer:

Project:

Reference:

## Design criteria

Medium:	Water / glycol (max 50%)	
Max. flow velocity:	1	m/s
Max. flow rate:	2.00	m <sup>3</sup> /h
Max. pressure:	10	bar-g
Max. temperature:	110	°C
Design standard:	EN 13445	

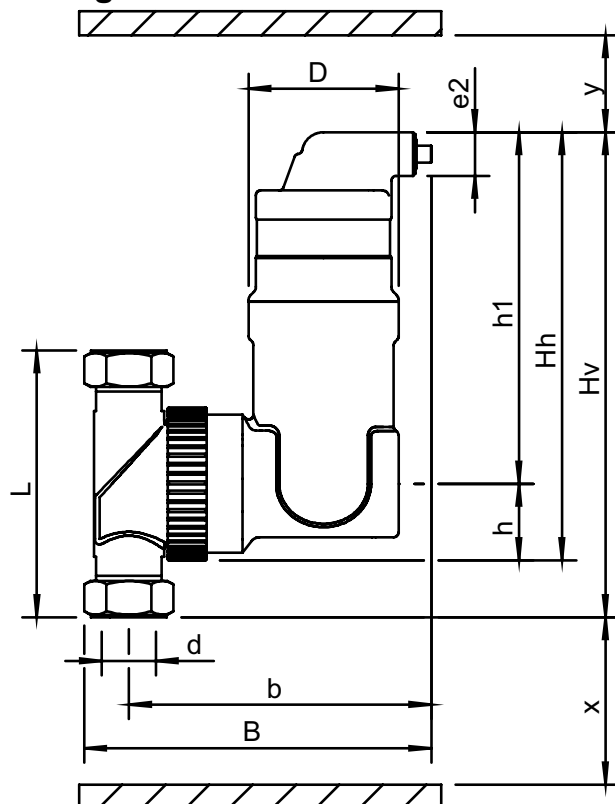
## Testing and quality assurance

Leakage test:	no
Test certificate:	no
Design and manufacturing acc. 2014/68/EU:	yes
Material certificates (structural parts):	no
Drawing:	no

## Construction materials

Body:	Brass
Deaeration cap:	Brass
Valve sealing:	Viton
Float:	PP
Spirotube Tube:	Copper
Spirotube Wire:	Copper
Spirotube Solder:	Tin(SnCu3)

## Drawing



## Dimensions

d:	Rp1"
h:	32 mm
Hh:	177 mm
Hv:	195 mm
h1:	145 mm
L:	100 mm
D:	62 mm
B:	154 mm
b:	131 mm
x:	>50 mm
y:	>50 mm
e2:	M4

Volume 0.41 ltr

Dry weight (approx) 1.8 kg

Subject to changes