

SPIROTECH SPECIFICATION SHEET



Product: SpiroCombi Rp3/4" Threaded fitting

Type:

UC075WJ

Date:

12/9/2019

Customer:

Project:

Reference:

Design criteria

| | | |
|---------------------|--------------------------|-------------------|
| Medium: | Water / glycol (max 50%) | |
| Max. flow velocity: | 1 | m/s |
| Max. flow rate: | 1.30 | m ³ /h |
| Max. pressure: | 10 | bar-g |
| Max. temperature: | 110 | °C |
| Design standard: | EN 13445 | |

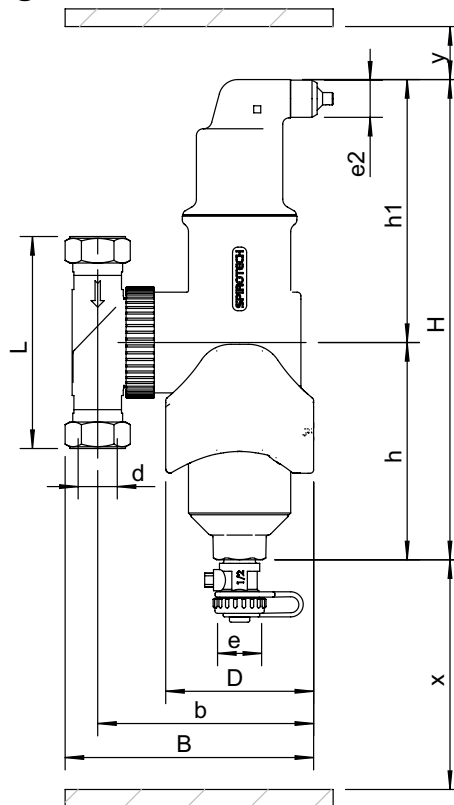
Testing and quality assurance

| | |
|---|-----|
| Leakage test: | no |
| Test certificate: | no |
| Design and manufacturing acc. 2014/68/EU: | yes |
| Material certificates (structural parts): | no |
| Drawing: | no |

Construction materials

| | |
|-------------------|------------|
| Body: | Brass |
| Swivel: | Brass |
| Deaeration cap: | Brass |
| Valve sealing: | Viton |
| Float: | PP |
| Drain valve: | Brass |
| Spirotube Tube: | Copper |
| Spirotube Wire: | Copper |
| Spirotube Solder: | Tin(SnCu3) |
| Magnet: | Neodymium |

Drawing



Dimensions

| | |
|-----|---------|
| d: | Rp3/4" |
| H: | 272 mm |
| h: | 123 mm |
| h1: | 149 mm |
| L: | 100 mm |
| D: | 84 mm |
| B: | 142 mm |
| b: | 125 mm |
| x: | >110 mm |
| y: | >75 mm |
| e: | G3/4 |
| e2: | R1/2 |

Volume 0.58 ltr

Dry weight (approx) 2.5 kg

Subject to changes