

Product data sheet Spirotech

Product name

SpiroTrap -1¼" -Hor

Product properties

A brass dirt separator with a 22 mm - 2" horizontal connection

- Very small particles, from 5 µm (= 0.005 mm) are separated and removed
- Dirt can be drained while the system is in operation
- No shut-off valves or bypass required
- Constant low pressure drop
- Maintenance only takes a few seconds and is not a dirty job compared to a filter solution
- Applicable with 50/50 Ethylene Glycol / Water (Volume)
- No unnecessary downtime
- Horizontal connections
- Connection diameters from 22 mm to 2" (G2)

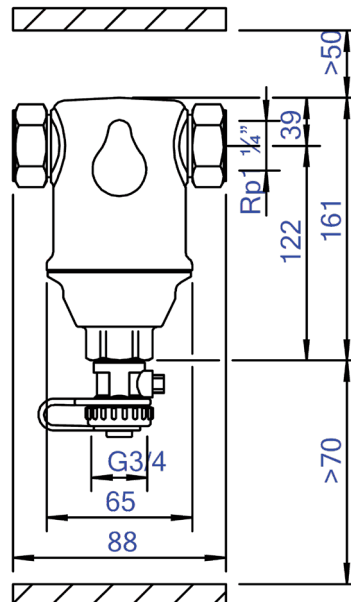
Article number

AE125

Product image



Product dimensions



Product data sheet Spirotech

ETIM product data

Housing material	Brass	Suitable for open system	No
With drain tap	Yes	Suitable for closed system	Yes
Housing material quality	Other	Suitable for solar	No
Backwash filter	No	Whirl operating principle	No
Medium temperature (continuous)	0 - 110 °C	Negative pressure operating principle	No
Max. operating pressure	10 bar	With dismountable filter	No
Kvs value	31.75 m ³ /h	Filter volume	0.25 l
Variable flow direction	Yes	Magnet operating principle	No
With insulation	No	Thrust operating principle	No
Separator type	Dirt	With automatic de-aerator	No
Connection	Internal thread cylindrical BSP-G (ISO 228-1)	Partial flow principle	No
Model	Horizontal	Principle full flow with settling	Yes
Nominal diameter	1 1/4 inch (32)	Cleaning possible during operation	Yes
Max. glycol mixture	50 %	With couplers	Yes
Suitable for heating	Yes	Inlet/outlet offset distance	0 mm
Suitable for cooling	Yes	Material of connection	Brass
Construction length	88 mm	Material quality connection	Other
Article compression class	PN 10	Flow-through capacity	0 - 3.6 m ³ /h
Surface protection	Untreated		

Disclaimer

This product sheet has been compiled with the greatest possible care. Nevertheless, it may contain errors or omissions. For the most current and correct information we refer you to our website.

