

# Product data sheet Spirotech

## Product name

**SpiroCombi -DN50 -Magnet -Flange**

## Product properties

A steel (microbubble) deaerator and dirt separator with magnet for standard flow rate (1.5 m/s) with a DN50 - DN300 PN16 flange connection

- Combined separation system - removes circulating air and microbubbles effectively
- Improve cost control and energy efficiency
- Applicable with 50/50 Ethylene Glycol / Water (Volume)
- Very small particles, from 5  $\mu\text{m}$  (= 0.005 mm), are separated and removed
- Including a magnet for extra protection and high efficient removal of magnetite
- Dirt can be discharged while the system is in operation
- No shut-off valves or bypass required
- Constant low pressure drop
- PN16 flange connections
- Connection diameters from DN50 - DN300, larger connection diameters on request
- Exceptional guarantee

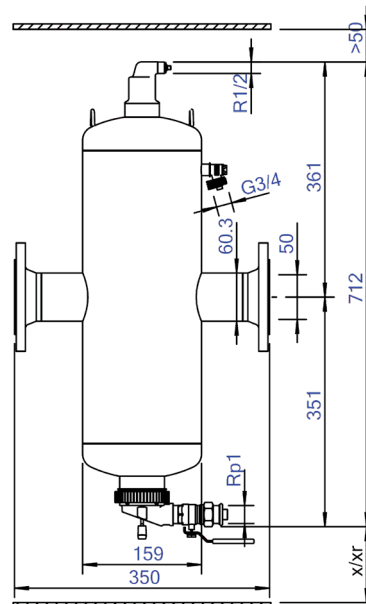
## Article number

**BC050FM**

## Product image



## Product dimensions



# Product data sheet Spirotech

## ETIM product data

|                                 |                |                                    |                            |
|---------------------------------|----------------|------------------------------------|----------------------------|
| Housing material                | Steel          | Article compression class          | PN 16                      |
| With drain tap                  | Yes            | Surface protection                 | Lacquered                  |
| Housing material quality        | St 37 (1.0254) | Suitable for open system           | No                         |
| Backwash filter                 | No             | Suitable for closed system         | Yes                        |
| Medium temperature (continuous) | 0 - 110 °C     | Suitable for solar                 | No                         |
| Max. operating pressure         | 10 bar         | With dismountable filter           | No                         |
| Kvs value                       | 73.1           | Filter volume                      | 5 l                        |
| Variable flow direction         | Yes            | Magnet operating principle         | Yes                        |
| With insulation                 | No             | With automatic de-aerator          | Yes                        |
| Separator type                  | Air/dirt       | Cleaning possible during operation | Yes                        |
| Connection                      | Flange         | With couplers                      | No                         |
| Model                           | Horizontal     | Inlet/outlet offset distance       | 0 mm                       |
| Nominal diameter                | DN 50          | Material of connection             | Steel                      |
| Max. glycol mixture             | 50 %           | Flow-through capacity              | 0 - 12.5 m <sup>3</sup> /h |
| Suitable for heating            | Yes            | Magnet location                    | Internal                   |
| Suitable for cooling            | Yes            | Flange standard                    | DIN                        |
| Construction length             | 350 mm         |                                    |                            |

### Disclaimer

This product sheet has been compiled with the greatest possible care. Nevertheless, it may contain errors or omissions. For the most current and correct information we refer you to our website.

