

# Product data sheet Spirotech

## Product name

**ETCM Maxi-4.7 max 23,5bar**

## Product properties

The TopControl Modular MAXI is an automatic expansion and pressure-maintaining device. The unit contains 2 VFD pumps (2x 100%) and an electronically controlled overflow valve. An unpressurised expansion tank is required.

- 2 VFD pumps (2x 100%)
- 1 electronically controlled overflow valve (1x 100%)
- At least 1 unpressurised expansion vessel needs to be added
- Operational pressure range up to 8.4 to 23.5 bar
- The maximum temperature at the point of connection: 70°C (over 70°C possible with auxiliary tank)
- Maximum safety temperature in the system: 110°C
- Maximum operating pressure (PN): 10 to 25 bar

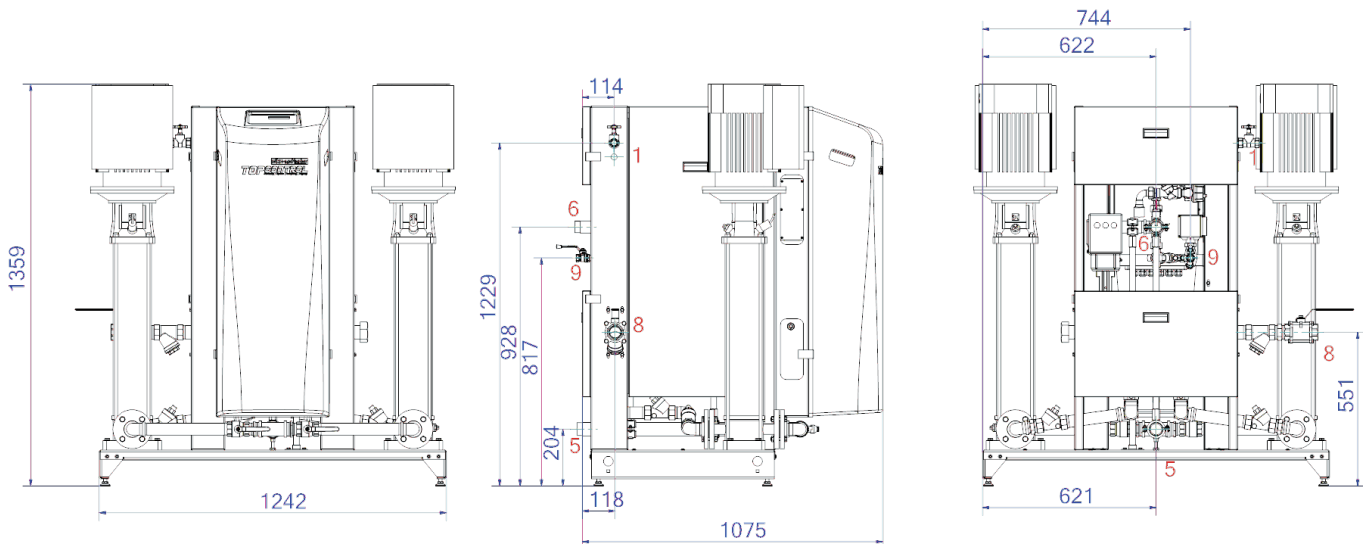
## Article number

**ETCM-M4.7-23.5**

## Product image



## Product dimensions



|  |              |
|--|--------------|
| 1. Refill connection                   | Rp1/2, Rp3/4 |
| 5. Suction line from expansion vessel  | R6/4         |
| 6. Overflow line to the expansion tank | R5/4         |

|                            |       |
|----------------------------|-------|
| 8. Expansion pressure pipe | Rp6/4 |
| 9. Degassing pipe          | Rp1/2 |

# Product data sheet Spirotech

## ETIM product data

|                                |                            |                                       |                 |
|--------------------------------|----------------------------|---------------------------------------|-----------------|
| Height                         | 1359 mm                    | Double pump/compressor unit           | Yes             |
| Max. operating pressure        | 23.5 bar                   | With exchangeable membrane            | No              |
| Connection                     | Other                      | Compressor in base                    | No              |
| Power consumption              | 6.2 kW                     | Nominal diameter expansion connection | 1 1/2 inch (40) |
| Couplable                      | Yes                        | Max. medium temperature (continuous)  | 70 °C           |
| Electrical connection          | Connection cable with plug | For heating systems up to             | 1 MW            |
| Function master/slave          | No                         | Horizontal positioning                | No              |
| With pressure expansion vessel | No                         | Connection voltage                    | 400 V           |
| Digital control unit           | Yes                        | Article compression class             | PN 25           |

### Disclaimer

This product sheet has been compiled with the greatest possible care. Nevertheless, it may contain errors or omissions. For the most current and correct information we refer you to our website.

