

# Product data sheet Spirotech

## Product name

**SpiroCombi -DN65 -Flange**

## Product properties

A steel (microbubble) deaerator and dirt separator for standard flow rate (1.5 m/s) with a DN50 - DN300 PN16 flange connection

- Combined separation system - removes circulating air and microbubbles effectively
- Improve cost control and energy efficiency
- Applicable with 50/50 Ethylene Glycol / Water (Volume)
- Very small particles, from 5  $\mu\text{m}$  (= 0.005 mm), are separated and removed
- Dirt can be discharged while the system is in operation
- No shut-off valves or bypass required
- Constant low pressure drop
- PN16 flange connections
- Connection diameters from DN50 - DN300, larger connection diameters on request
- Exceptional guarantee

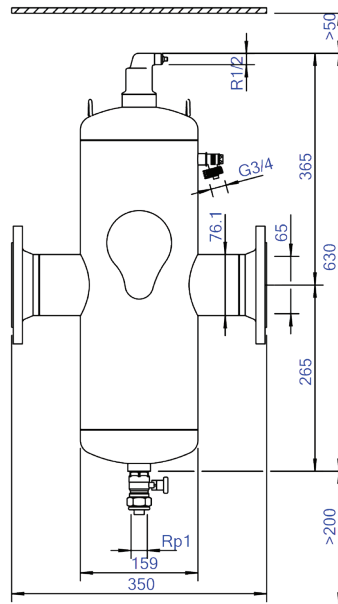
## Article number

**BC065F**

## Product image



## Product dimensions



# Product data sheet Spirotech

## ETIM product data

|                                 |                |
|---------------------------------|----------------|
| Housing material                | Steel          |
| With drain valve                | Yes            |
| Housing material quality        | St 37 (1.0254) |
| Backwash filter                 | No             |
| Medium temperature (continuous) | 0 - 110 °C     |
| Max. operating pressure         | 10 bar         |
| Kvs value                       | 116.1          |
| Variable flow direction         | Yes            |
| With insulation                 | No             |
| Separator type                  | Air/dirt       |
| Connection                      | Flange         |
| Model                           | Horizontal     |
| Nominal diameter                | DN 65          |
| Max. glycol mixture             | 50 %           |
| Suitable for heating            | Yes            |
| Suitable for cooling            | Yes            |
| Construction length             | 350 mm         |

|                                       |                          |
|---------------------------------------|--------------------------|
| Article compression class             | PN 10                    |
| Surface protection                    | Lacquered                |
| Suitable for open system              | No                       |
| Suitable for closed system            | Yes                      |
| Suitable for solar                    | No                       |
| With dismountable filter              | No                       |
| Filter volume                         | 7 l                      |
| Magnet operating principle            | No                       |
| With automatic de-aerator             | Yes                      |
| With integrated replenishment automat | No                       |
| With couplers                         | No                       |
| Cleaning possible during operation    | Yes                      |
| Material of connection                | Steel                    |
| Inlet/outlet offset distance          | 0 mm                     |
| Flow-through capacity                 | 0 - 20 m <sup>3</sup> /h |
| Flange standard                       | DIN                      |

### Disclaimer

This product sheet has been compiled with the greatest possible care. Nevertheless, it may contain errors or omissions. For the most current and correct information we refer you to our website.

